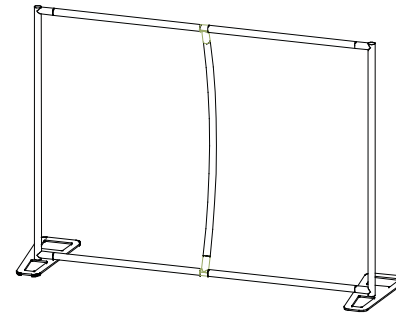
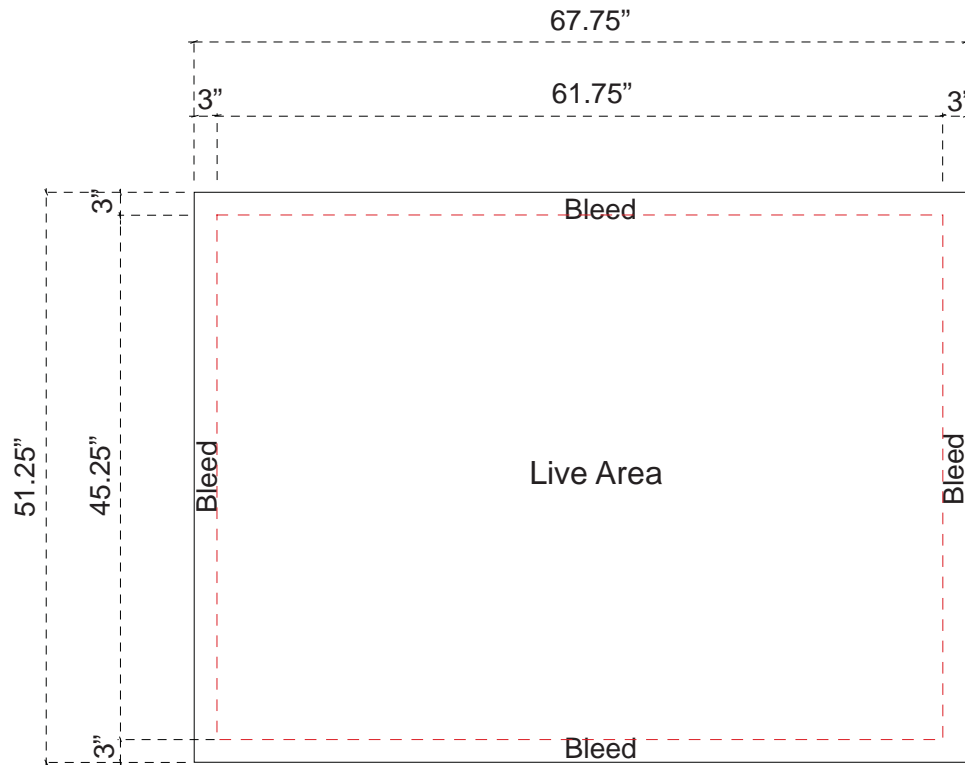


ÂERO Table Top Displays



Product Number: TF- 413
Process: Kaleidoscope Select
Material: Poly Knit 9
Effective Date: 11/20/2009



Finished Size: 67.75"w x 51.25"h

Live Area: 61.75"w x 45.25"h

Finishing

- Hook Velcro sewn into BACK perimeter of graphic.
- Notch bottom corners of graphic.
- Miter top corners of graphic.

- Graphic wraps over all 4 sides of frame.

NOTE - Graphic files must be @ 150 dpi finished size.
- These dimensions are for graphic layout purposes.
- Graphic needs to be cut and test fitted to Aero frame.